
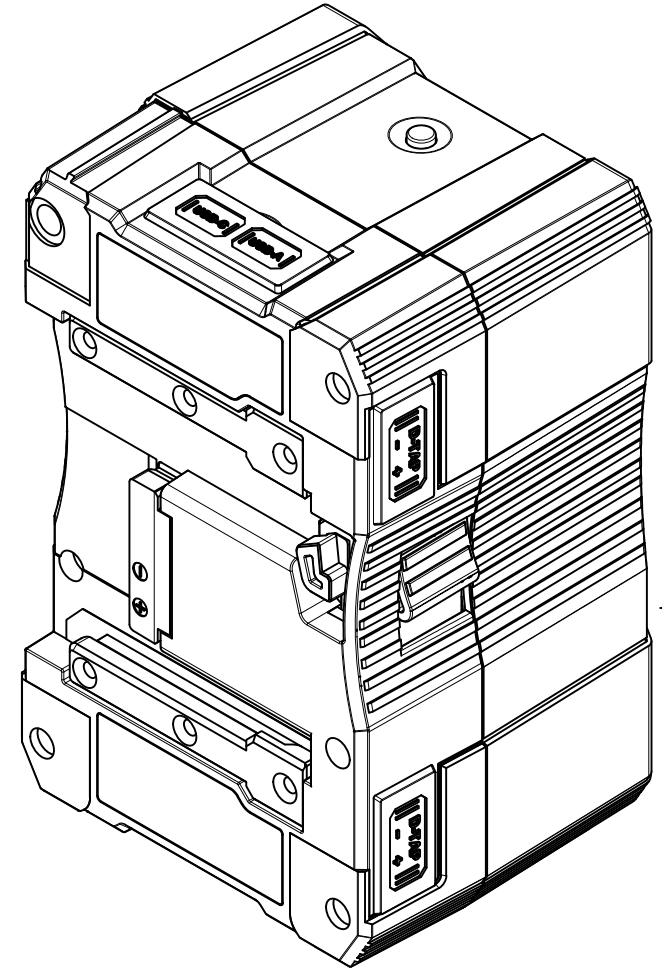
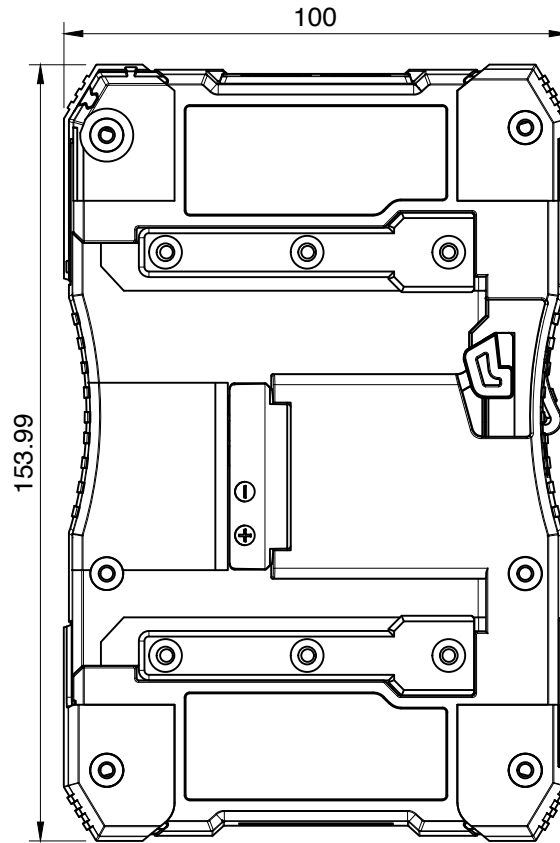
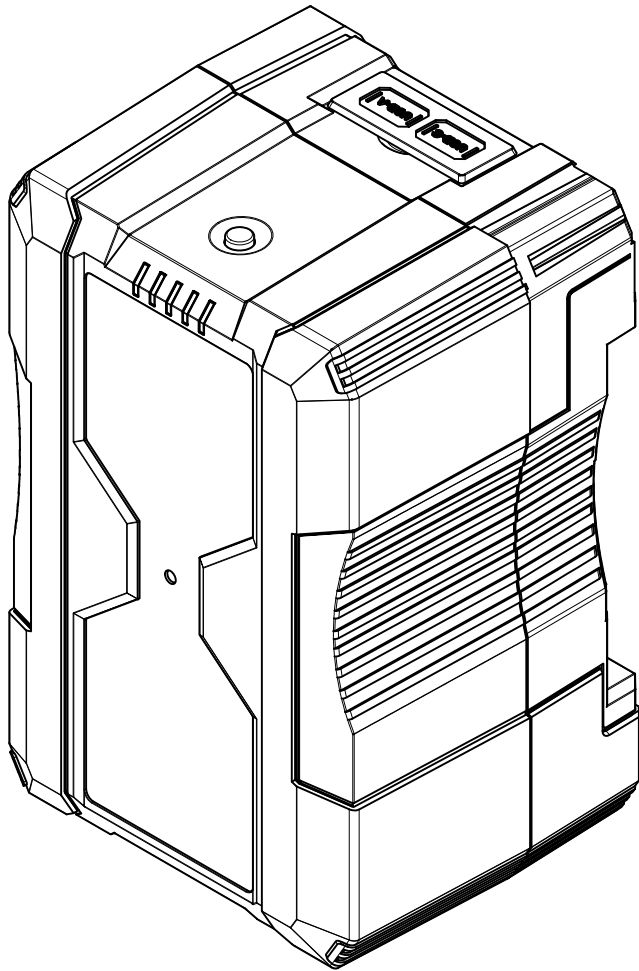



Dept. Marketing & Support	Created by Elia Quadri 27.06.22			
	Document type Technical Drawing	Document status Final		
	Title BM-HV300	Rev.	Date of issue	Sheet 1/2



Dept. Marketing & Support	Created by Elia Quadri 27.06.22			
	Document type Technical Drawing	Document status Final		
	Title BM-HV300	Rev.	Date of issue	Sheet 2/2